

## Product Data

This horizontal design N-coil is an evaporator coil designed to provide the highest standards of reliability and durability. The coils are available for use in Puron®, the environmentally friendly refrigerant, and R-22 systems.

Both designs have a painted case (taupe metallic) and come with factory-installed thermostatic expansion valves (TXV). The coils are offered in different cabinet configurations for use in multiple installation applications. Easy maintenance is provided as the coil slides out of the cabinet after removing the access door and service panel. The coils are available in sizes 024 through 061 (2 to 5 tons).

Both the CNPHP and CNRHP are available in tin-plated copper coil models. These coils are built with special hairpins which are tin-plated to resist both general pitting corrosion and excessive indoor corrosion-Formicary Corrosion. (Formicary Corrosion is an industry phenomenon).

### DESIGN FEATURES

**Water Management** — These coil designs do an excellent job of water management. The coils are designed to avoid water blow-off into the ducts by directing condensate away from the fins and into the drain pan. The coil drain pan design provides improved condensate removal into the drain. This improves indoor air quality.

**Durable Condensate Pan** — Each coil is equipped with a corrosion-resistant condensate drain pan. The condensate drain pan is designed with a slope to help ensure proper drainage, improved moisture removal, and home comfort.

**Compact Design** — The unique design is great for all those horizontal applications. They are designed for either horizontal-right or horizontal-left furnace fit up. The coil is ideally suited for either attic or crawl space installation.

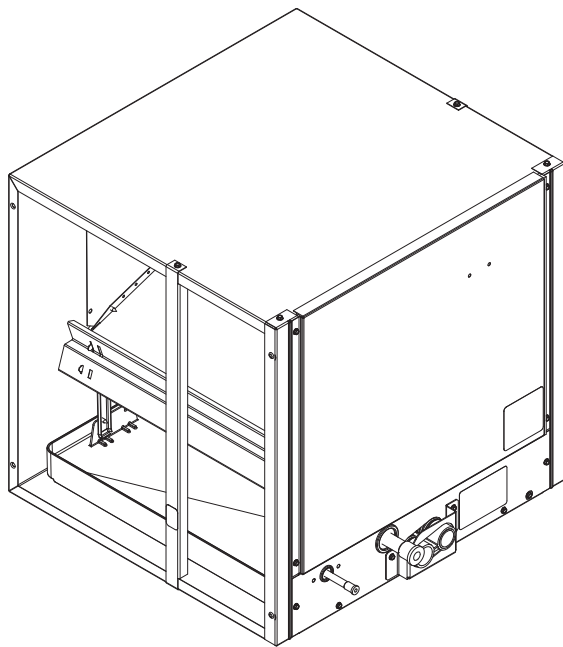
**Brass Inserts** — Every condensate pan features two 3/4-in. female threaded brass insert connections. The unique brass inserts provide for a leak-free condensate line connection to prevent water damage.

**Refrigerant Connections** — The coils are provided with proven sweat connections for leak-free operation maintaining system reliability.

**Burst Pressures** — These coils meet or exceed burst pressure of 2100 psi which is at least three to five times the pressure they will see in actual application.

**Thermostatic Expansion Valves (TXV)** — All the Carrier coils have refrigerant-specific factory-installed TXVs.

**Teflon Ring** — The ring, installed inside the liquid line connection at the TXV is the best option for preventing refrigerant leaks and future service calls. Teflon works with both Puron® and R-22 refrigerants.



CNPHP / CNRHP

A06005

# MODEL NUMBER NOMENCLATURE

1 2 3 4 5 6 7 8 9 10 11 12  
 C N P H P 2 4 1 7 A C A

**Product**

C = Coil

**Type**

N = N Coil

**Refrigerant Type**

P = Puron® Refrigerant TXV

R = R-22 TXV

**Coil Configuration**

H = Horizontal

**Cabinet Finish**

P = Painted

**Variations**

A = Basic

**Tubing Design**

C = Copper

T = Tin-Plated Copper

**Revision Level**

A = 1st

**Cabinet Width**

17 = 17-in / 432mm

21 = 21-in / 533mm

24 = 24-in / 610mm

**Unit Capacity**

24 = 2 Ton

30 = 2 1/2 Ton

31 = 2 1/2 Ton

36 = 3 Ton

42 = 3 1/2 Ton

43 = 3 1/2 Ton

48 = 4 Ton

60 = 5 Ton

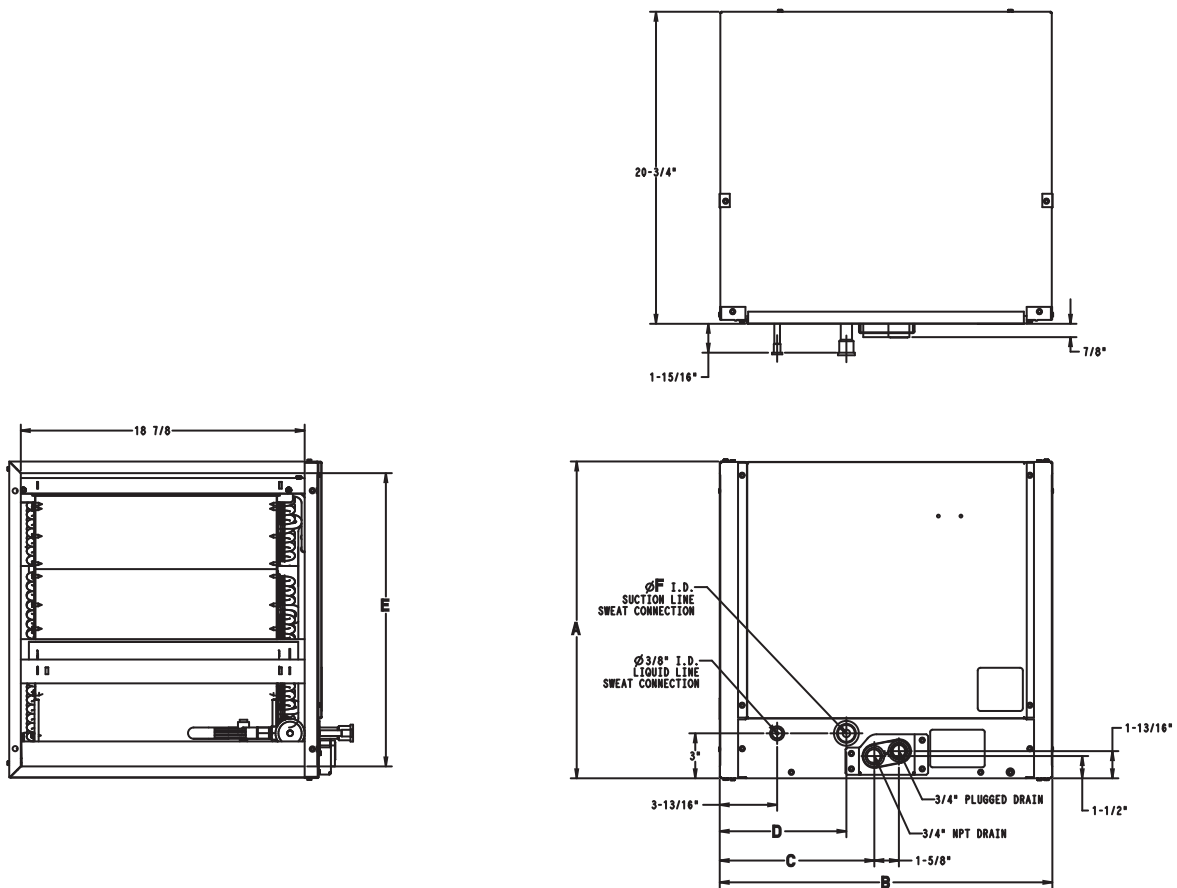
61 = 5 Ton

CNPHP / CNRHP



CERTIFICATION APPLIES ONLY WHEN THE COMPLETE SYSTEM IS LISTED WITH ARI

## DIMENSIONS



**CNPHP / CNRHP**

A05430

### DIMENSIONS - CN(P,R)NP

UNIT	SERIES	A in. (mm)	B in. (mm)	C in. (mm)	D in. (mm)	E in. (mm)	F in. (mm)	SHIPPING WT. LBS. (KG)	
								Non-Coated Hairpins (C)	Tin-Coated Hairpins (T)
CN(P,R)HP2417A(C,T)A	A	17-1/2 (445)	19 (483)	10-3/4 (273)	9-5/16 (237)	16 (406)	5/8 (16)	39.5 (18)	41.5 (19)
CN(P,R)HP3017A(C,T)A	A	17-1/2 (445)	22-1/16 (560)	10-5/16 (262)	8-7/16 (214)	16 (406)	3/4 (19)	50.0 (23)	53.0 (24)
CN(P,R)HP3617A(C,T)A	A	17-1/2 (445)	22-1/16 (560)	10-5/16 (262)	8-7/16 (214)	16 (406)	3/4 (19)	49.5 (22)	52.5 (24)
CN(P,R)HP4221A(C,T)A	A	21 (533)	22-1/16 (560)	10-5/16 (262)	8-7/16 (214)	19-1/2 (495)	7/8 (22)	59.0 (27)	62.0 (28)
CN(P,R)HP4821A(C,T)A	A	21 (533)	28-1/16 (713)	13-3/16 (335)	8-7/16 (214)	19-1/2 (495)	7/8 (22)	71.0 (32)	73.5 (33)
CN(P,R)HP6024A(C,T)A	A	24-1/2 (622)	29 (737)	14-1/8 (359)	9-5/16 (237)	23 (584)	7/8 (22)	81.0 (37)	84.0 (38)
CN(P,R)HP6124A(C,T)A	A	24-1/2 (622)	29 (737)	14-1/8 (359)	9-5/16 (237)	23 (584)	7/8 (22)	88 (194)	91 (201)

UNIT	SERIES	A in. (mm)	B in. (mm)	C in. (mm)	D in. (mm)	E in. (mm)	F in. (mm)	SHIPPING WT. LBS. (KG)	
								Non-Coated Hairpins (C)	Tin-Coated Hairpins (T)
CNPHP3117A(C,T)A	B	17-9/16 (446)	27-1/2 (699)	12-7/16 (316)	7-13/16 (198)	16 (406)	3/4 (19)	44.1 (20)	50.7 (23)
CNPHP4321A(C,T)A	B	21-1/16 (535)	30-1/8 (765)	21-1/16 (386)	10-1/2 (267)	19-1/2 (495)	7/8 (22)	59.1 (26.8)	61.7 (28)

# PERFORMANCE DATA

## COOLING CAPACITIES (MBH) - PURON® REFRIGERANT

CNRH UNIT SIZE	INDOOR COIL AIR		SATURATED TEMPERATURE LEAVING EVAPORATOR °F (°C)														
			30 (-1)			35 (2)			40 (4)			45 (7)			50 (10)		
	CFM	EWB	TC	SHC	BF	TC	SHC	BF	TC	SHC	BF	TC	SHC	BF	TC	SHC	BF
2417	600	72(22)	39.00	19.00	0.00	36.00	17.50	0.00	32.70	15.90	0.00	28.80	14.10	0.00	24.60	12.30	0.01
		67(19)	32.80	19.80	0.01	29.80	18.20	0.01	26.30	16.40	0.01	22.40	14.60	0.02	18.10	12.60	0.02
		62(17)	27.20	20.50	0.02	24.00	18.70	0.02	20.50	16.90	0.02	16.60	15.00	0.02	13.10	13.10	0.05
	800	72(22)	47.10	22.80	0.00	43.60	21.10	0.00	39.60	19.30	0.00	35.00	17.30	0.02	29.90	15.10	0.02
		67(19)	39.80	24.20	0.03	36.10	22.30	0.03	32.00	20.30	0.03	27.30	18.10	0.03	22.00	15.90	0.03
		62(17)	33.10	25.40	0.03	29.30	23.40	0.03	25.10	21.20	0.03	20.50	19.00	0.04	16.70	16.70	0.09
	1000	72(22)	53.40	25.90	0.00	49.50	24.20	0.00	45.10	22.10	0.02	40.00	19.90	0.03	34.10	17.50	0.04
		67(19)	45.30	27.90	0.05	41.20	25.90	0.05	36.60	23.70	0.05	31.30	21.30	0.05	25.20	18.70	0.05
		62(17)	37.80	29.60	0.05	33.60	27.40	0.05	28.80	25.10	0.05	23.80	22.70	0.06	20.00	20.00	0.13
3017	750	72(22)	48.00	23.50	0.00	44.00	21.40	0.00	39.70	19.20	0.00	34.80	17.00	0.00	29.40	14.60	0.01
		67(19)	40.30	24.20	0.01	36.20	22.00	0.02	31.80	19.70	0.02	26.80	17.40	0.02	21.40	15.00	0.02
		62(17)	33.20	24.80	0.02	29.10	22.50	0.02	24.60	20.20	0.02	19.90	17.90	0.02	15.60	15.60	0.05
	1000	72(22)	58.70	28.50	0.00	53.90	26.10	0.00	48.50	23.60	0.00	42.50	20.90	0.02	35.80	18.10	0.03
		67(19)	49.40	29.90	0.03	44.40	27.30	0.03	38.90	24.60	0.04	32.90	21.70	0.04	26.20	18.80	0.04
		62(17)	40.80	30.90	0.04	35.80	28.20	0.04	30.30	25.40	0.04	24.60	22.60	0.05	19.90	19.90	0.10
	1250	72(22)	67.40	32.70	0.00	61.90	30.10	0.00	55.70	27.30	0.02	48.80	24.20	0.04	41.10	21.00	0.05
		67(19)	56.80	34.70	0.05	51.20	31.80	0.06	44.90	28.70	0.06	37.80	25.50	0.06	30.10	22.20	0.06
		62(17)	47.10	36.30	0.06	41.30	33.20	0.06	35.00	30.10	0.06	28.60	27.00	0.07	23.70	23.70	0.14
3117	750	72(22)	74.50	37.07	0.00	68.51	33.85	0.00	61.86	30.50	0.00	54.41	27.00	0.00	46.04	23.35	0.00
		67(19)	62.13	37.73	0.01	56.03	34.37	0.01	49.24	30.87	0.01	41.66	27.24	0.01	32.96	23.39	0.01
		62(17)	50.98	38.20	0.01	44.75	34.72	0.01	37.95	31.17	0.01	30.17	27.36	0.01	23.70	23.70	0.06
	1000	72(22)	92.35	45.51	0.00	85.01	41.76	0.00	76.78	37.78	0.00	67.46	33.54	0.01	57.03	29.08	0.01
		67(19)	77.15	46.96	0.02	69.62	42.94	0.02	61.18	38.71	0.02	51.69	34.27	0.02	41.04	29.62	0.02
		62(17)	63.39	48.06	0.02	55.66	43.85	0.02	47.21	39.53	0.02	38.21	35.15	0.02	30.59	30.59	0.08
	1250	72(22)	107.37	52.63	0.00	98.97	48.52	0.00	89.37	44.04	0.01	78.59	39.23	0.02	66.39	34.13	0.02
		67(19)	89.89	54.97	0.03	81.19	50.47	0.03	71.37	45.67	0.03	60.28	40.57	0.03	47.77	35.20	0.03
		62(17)	73.97	56.83	0.03	64.99	52.05	0.03	55.22	47.14	0.03	44.93	42.16	0.04	36.94	36.94	0.11
3617	900	72(22)	58.10	28.30	0.00	53.40	25.90	0.00	48.00	23.30	0.00	42.10	20.60	0.01	35.50	17.80	0.02
		67(19)	48.90	29.50	0.02	44.00	26.90	0.03	38.50	24.20	0.03	32.50	21.30	0.03	25.90	18.40	0.03
		62(17)	40.40	30.40	0.03	35.40	27.70	0.03	29.90	24.90	0.03	24.20	22.10	0.04	19.40	19.40	0.08
	1200	72(22)	70.00	33.90	0.00	64.30	31.20	0.00	57.80	28.30	0.02	50.70	25.10	0.04	42.70	21.80	0.05
		67(19)	58.90	35.90	0.05	53.10	32.90	0.05	46.50	29.70	0.05	39.30	26.40	0.06	31.20	22.90	0.06
		62(17)	48.80	37.50	0.06	42.80	34.30	0.06	36.30	31.00	0.06	29.60	27.80	0.06	24.40	24.40	0.13
	1500	72(22)	79.30	38.60	0.00	72.90	35.60	0.02	65.70	32.30	0.05	57.50	28.80	0.06	48.50	25.10	0.07
		67(19)	67.00	41.30	0.08	60.40	38.00	0.08	53.00	34.40	0.08	44.70	30.70	0.08	35.50	26.80	0.09
		62(17)	55.70	43.60	0.09	48.80	40.00	0.09	41.60	36.50	0.09	34.20	32.90	0.10	28.80	28.80	0.18
4221	1050	72(22)	74.40	36.30	0.00	68.10	33.10	0.00	61.20	29.70	0.00	53.50	26.20	0.01	45.00	22.60	0.02
		67(19)	62.30	37.60	0.02	56.00	34.20	0.03	48.90	30.60	0.03	41.20	27.00	0.03	32.80	23.30	0.03
		62(17)	51.40	38.60	0.03	44.90	35.00	0.03	37.90	31.40	0.03	30.60	27.80	0.04	24.40	24.40	0.08
	1400	72(22)	90.20	43.80	0.00	82.60	40.10	0.00	74.10	36.20	0.01	64.70	32.00	0.04	54.40	27.60	0.05
		67(19)	75.80	46.00	0.05	68.00	42.00	0.05	59.40	37.70	0.06	50.00	33.40	0.06	39.60	28.90	0.06
		62(17)	62.60	47.70	0.06	54.70	43.50	0.06	46.20	39.20	0.06	37.50	35.00	0.07	30.70	30.70	0.13
	1750	72(22)	103.00	50.00	0.00	94.30	46.00	0.00	84.60	41.50	0.05	73.90	36.80	0.06	62.00	32.00	0.07
		67(19)	86.70	53.10	0.08	77.80	48.60	0.08	68.00	43.90	0.08	57.10	39.00	0.08	45.20	33.90	0.09
		62(17)	71.70	55.70	0.09	62.70	50.90	0.09	53.10	46.20	0.09	43.40	41.50	0.10	36.30	36.30	0.18
4321	1050	72(22)	96.72	47.64	0.00	89.31	43.85	0.00	80.91	39.78	0.00	71.39	35.44	0.00	60.74	30.89	0.01
		67(19)	80.93	49.26	0.01	73.30	45.20	0.01	64.67	40.88	0.01	54.97	36.34	0.01	43.99	31.53	0.01
		62(17)	66.64	50.56	0.01	58.77	46.28	0.01	50.10	41.84	0.01	40.70	37.29	0.02	32.63	32.63	0.07
	1400	72(22)	117.07	57.30	0.00	108.20	53.03	0.00	98.03	48.31	0.01	86.74	43.33	0.02	73.81	37.96	0.02
		67(19)	98.18	60.23	0.03	89.03	55.55	0.03	78.69	50.55	0.03	66.93	45.19	0.03	53.54	39.46	0.03
		62(17)	81.03	62.70	0.03	71.60	57.72	0.03	61.25	52.56	0.03	50.15	47.21	0.03	41.46	41.46	0.11
	1750	72(22)	133.38	65.28	0.00	123.30	60.58	0.02	111.98	55.48	0.03	99.21	50.01	0.04	84.49	44.04	0.04
		67(19)	112.09	69.50	0.04	101.79	64.41	0.05	90.14	58.95	0.05	76.76	52.99	0.05	61.46	46.55	0.05
		62(17)	92.72	73.26	0.05	82.16	67.85	0.05	70.58	62.18	0.05	58.38	56.24	0.06	49.33	49.33	0.15
4821	1200	72(22)	79.30	38.70	0.00	72.90	35.40	0.00	65.70	31.90	0.00	57.70	28.20	0.00	48.80	24.40	0.01
		67(19)	66.60	40.20	0.02	60.00	36.60	0.02	52.70	32.90	0.02	44.60	29.10	0.02	35.70	25.10	0.03
		62(17)	55.00	41.30	0.03	48.30	37.60	0.03	40.90	33.80	0.03	33.10	30.00	0.03	26.30	26.30	0.07
	1600	72(22)	96.00	46.60	0.00	88.30	42.90	0.00	79.60	38.90	0.00	69.90	34.50	0.03	59.10	30.00	0.04
		67(19)	80.90	49.20	0.04	72.90	45.00	0.04	64.10	40.70	0.05	54.20	36.10	0.05	43.30	31.40	0.05
		62(17)	67.00	51.20	0.05	58.80	46.80	0.05	49.90	42.30	0.05	40.70	37.90	0.05	33.30	33.30	0.11
	2000	72(22)	109.40	53.10	0.00	100.70	49.10	0.00	90.90	44.60	0.03	79.90	39.80	0.05	67.50	34.70	0.06
		67(19)	92.40	56.70	0.06	83.40	52.20	0.07	73.30	47.40	0.07	62.00	42.20	0.07	49.50	36.90	0.07
		62(17)	76.70	59.70	0.07	67.50	54.90	0.08	57.40	49.90	0.08	47.20	44.90	0.08	39.50	39.50	0.16

See NOTES next page.

Legend:

CFM – Cubic Ft. per Minute      EWB – Entering Wet Bulb      LWB – Leaving Wet Bulb      TC – Gross Cooling Capacity 1000 Btu/h  
 SHC – Gross Sensible Capacity 1000 Btu/h      BF – Bypass Factor      MBH – 1000 Btu/h

## PERFORMANCE DATA (cont.)

### COOLING CAPACITIES (MBH) - PURON® REFRIGERANT

CNRH UNIT SIZE	INDOOR COIL AIR		SATURATED TEMPERATURE LEAVING EVAPORATOR °F (°C)														
			30 (-1)			35 (2)			40 (4)			45 (7)			50 (10)		
	CFM	EWB	TC	SHC	BF	TC	SHC	BF	TC	SHC	BF	TC	SHC	BF	TC	SHC	BF
6024	1600	72(22)	103.20	50.40	0.00	94.40	45.90	0.00	84.80	41.10	0.00	74.10	36.30	0.00	62.40	31.20	0.02
		67(19)	86.40	52.10	0.02	77.50	47.20	0.02	67.80	42.30	0.02	57.10	37.20	0.03	45.40	32.10	0.03
		62(17)	71.20	53.30	0.03	62.20	48.30	0.03	52.40	43.30	0.03	42.30	38.30	0.03	33.50	33.50	0.07
	2000	72(22)	120.70	58.70	0.00	110.40	53.60	0.00	99.00	48.20	0.00	86.40	42.50	0.02	72.60	36.70	0.03
		67(19)	101.20	61.30	0.03	90.70	55.70	0.04	79.20	50.00	0.04	66.60	44.10	0.04	52.80	38.10	0.05
		62(17)	83.40	63.20	0.05	72.80	57.40	0.05	61.40	51.60	0.05	49.70	46.00	0.05	40.30	40.30	0.11
	2400	72(22)	135.60	65.80	0.00	124.10	60.30	0.00	111.20	54.40	0.01	97.00	48.00	0.04	81.30	41.50	0.05
		67(19)	113.90	69.30	0.05	102.10	63.20	0.06	89.10	56.90	0.06	74.80	50.30	0.06	59.20	43.60	0.06
		62(17)	94.10	72.10	0.06	82.10	65.70	0.06	69.30	59.30	0.06	56.40	53.00	0.07	46.50	46.50	0.14
6124	1600	72(22)	142.31	69.71	0.00	131.14	64.12	0.00	118.67	58.20	0.00	104.55	51.83	0.01	88.62	45.08	0.02
		67(19)	119.05	72.45	0.02	107.63	66.45	0.02	94.79	60.09	0.02	80.30	53.36	0.02	63.94	46.26	0.02
		62(17)	97.96	74.63	0.03	86.21	68.29	0.02	73.29	61.74	0.02	59.53	55.08	0.03	48.11	48.11	0.09
	2000	72(22)	164.20	80.16	0.00	151.58	74.13	0.00	137.25	67.52	0.02	121.04	60.38	0.03	102.61	52.74	0.03
		67(19)	137.68	84.38	0.04	124.66	77.75	0.04	109.89	70.63	0.04	93.13	63.00	0.04	74.14	54.89	0.04
		62(17)	113.54	87.89	0.04	100.05	80.79	0.04	85.34	73.48	0.04	69.79	65.96	0.05	57.86	57.86	0.12
	2400	72(22)	182.47	89.12	0.00	168.62	82.68	0.02	152.91	75.56	0.04	134.97	67.83	0.04	114.48	59.50	0.05
		67(19)	153.40	94.82	0.05	139.05	87.71	0.05	122.70	80.00	0.05	104.07	71.67	0.06	82.87	62.74	0.06
		62(17)	126.74	99.73	0.06	111.87	92.08	0.06	95.76	84.19	0.06	78.98	76.01	0.07	66.58	66.58	0.16

Legend:

CFM – Cubic Ft. per Minute      EWB – Entering Wet Bulb      LWB – Leaving Wet Bulb      TC – Gross Cooling Capacity 1000 Btuh  
 SHC – Gross Sensible Capacity 1000 Btuh      BF – Bypass Factor      MBH – 1000 Btuh

CNPHP / CNRHP

#### NOTES:

- Contact manufacturer for cooling capacities at conditions other than shown in table.
- Formulas:  
 Leaving db = entering db -  $\frac{\text{sensible heat cap.}}{1.09 \times \text{CFM}}$   
 Leaving wb = wb corresponding to enthalpy of air leaving coil ( $h_{LWB}$ )  

$$h_{LWB} = h_{EWB} - \frac{\text{total capacity (Btuh)}}{4.5 \times \text{CFM}}$$
 Where  $h_{EWB}$  = enthalpy of air entering coil
- SHC is based on 80°F (27°C) db temperature of air entering the evaporator coil.  
 Below 80°F (27°C) db, subtract (Correction Factor x CFM) from SHC.  
 Above 80°F (27°C) db, add (Correction Factor x CFM) to SHC.
- Direct interpolation is permissible. Do not extrapolate.
- Fan motor heat has not been deducted.
- All data points are based on 10°F (-12°C) superheat leaving coil and use of thermostatic expansion valve (TXV) device.
- All units have sweat suction-tube connection and a liquid-tube connection. For 1-1/8-in. system suction tube, 3/4 x 1-1/8-in. suction tube connection adapter is available as accessory.
- The CNPHP coils can be used in any properly designed system using Puron® refrigerant.
- The CNRHP coils can be used in any properly designed system using R-22 refrigerant.
- Before using maximum cfm shown in table, check coil static pressure drop to ensure system blower can provide necessary static pressure needed for coil and duct systems.
- Bypass Factor = 0 indicates no psychometric solution. Use bypass factor of next lower EWB for approximation.

BYPASS FACTOR	ENTERING AIR DRY BULB TEMPERATURE °F (°C)					
	79 (26)	78 (26)	77 (25)	76 (24)	75 (24)	Under 75 (24)
	81 (27)	82 (28)	83 (28)	84 (29)	84 (29)	Above 85 (29)
	<b>Correction Factor</b>					
0.10	0.98	1.96	2.94	3.92	4.91	Use formula shown below
0.20	0.87	1.74	2.62	3.49	4.36	
0.30	0.76	1.53	2.29	3.05	3.82	

Interpolation is permissible.

Correction Factor = 1.09 x (1 - BF) x (db - 80)

**PERFORMANCE DATA (cont.)**

**COOLING CAPACITIES (MBH) - R-22 REFRIGERANT**

CNRH UNIT SIZE	INDOOR COIL AIR		SATURATED TEMPERATURE LEAVING EVAPORATOR °F (°C)														
			30 (-1)			35 (2)			40 (4)			45 (7)			50 (10)		
	CFM	EWB	TC	SHC	BF	TC	SHC	BF	TC	SHC	BF	TC	SHC	BF	TC	SHC	BF
2417	600	72(22)	34.60	16.80	0.00	32.30	15.70	0.00	29.60	14.60	0.00	26.50	13.20	0.00	22.90	11.80	0.01
		67(19)	29.40	18.30	0.01	27.00	17.10	0.01	24.20	15.70	0.01	20.90	14.30	0.01	17.10	12.60	0.02
		62(17)	24.70	19.50	0.02	22.20	18.30	0.02	19.30	16.80	0.02	16.00	15.30	0.02	13.40	13.40	0.10
	800	72(22)	39.50	19.40	0.01	37.10	18.40	0.01	34.20	17.10	0.02	30.70	15.70	0.02	26.60	14.10	0.02
		67(19)	33.90	21.60	0.03	31.20	20.40	0.03	28.00	19.00	0.03	24.30	17.40	0.03	20.10	15.60	0.03
		62(17)	28.60	23.70	0.03	25.80	22.30	0.03	22.60	20.80	0.04	19.30	19.10	0.05	16.80	16.80	0.16
	1000	72(22)	43.20	21.50	0.03	40.60	20.50	0.04	37.50	19.20	0.04	33.80	17.70	0.04	29.30	16.00	0.04
		67(19)	37.10	24.50	0.05	34.30	23.20	0.05	30.90	21.80	0.05	26.80	20.10	0.05	22.20	18.20	0.05
		62(17)	31.50	27.30	0.05	28.60	25.90	0.05	25.30	24.30	0.06	22.30	22.30	0.11	19.60	19.60	0.21
3017	750	72(22)	45.90	22.30	0.00	42.50	20.60	0.00	38.60	18.80	0.00	34.10	16.80	0.01	28.60	14.60	0.01
		67(19)	38.90	23.70	0.02	35.30	21.90	0.02	31.00	19.80	0.02	26.00	17.50	0.02	20.30	15.10	0.02
		62(17)	32.30	24.80	0.02	28.30	22.80	0.02	24.00	20.60	0.02	19.30	18.30	0.03	15.90	15.90	0.12
	1000	72(22)	53.80	26.20	0.00	49.90	24.40	0.01	45.40	22.40	0.02	40.30	20.20	0.03	34.30	17.80	0.03
		67(19)	45.70	28.40	0.03	41.60	26.40	0.04	37.00	24.20	0.04	31.20	21.70	0.04	24.40	18.80	0.04
		62(17)	38.30	30.40	0.04	34.00	28.20	0.04	29.00	25.80	0.04	23.80	23.20	0.06	20.00	20.00	0.16
	1250	72(22)	59.80	29.30	0.03	55.50	27.40	0.04	50.60	25.30	0.04	44.80	22.90	0.05	38.40	20.40	0.05
		67(19)	50.90	32.30	0.06	46.40	30.20	0.06	41.30	27.80	0.06	35.40	25.30	0.06	27.90	22.20	0.06
		62(17)	42.70	35.10	0.06	38.30	32.90	0.06	33.10	30.30	0.07	27.70	27.50	0.09	23.70	23.70	0.21
3617	900	72(22)	53.50	26.00	0.00	49.50	24.10	0.00	45.10	22.10	0.01	40.00	19.90	0.02	33.80	17.40	0.02
		67(19)	45.40	27.90	0.03	41.30	25.90	0.03	36.60	23.70	0.03	30.70	21.10	0.03	24.00	18.30	0.03
		62(17)	37.90	29.70	0.03	33.50	27.40	0.03	28.50	24.90	0.03	23.20	22.30	0.05	19.30	19.30	0.15
	1200	72(22)	61.60	30.10	0.02	57.20	28.20	0.03	52.10	26.00	0.04	46.20	23.50	0.04	39.60	20.90	0.05
		67(19)	52.40	33.10	0.05	47.80	30.90	0.05	42.50	28.50	0.05	36.30	25.80	0.06	28.60	22.60	0.06
		62(17)	44.00	35.90	0.06	39.40	33.60	0.06	34.00	30.90	0.06	28.30	28.00	0.08	24.10	24.10	0.20
	1500	72(22)	67.50	33.40	0.06	62.90	31.40	0.06	57.40	29.10	0.07	50.80	26.50	0.07	43.60	23.70	0.08
		67(19)	57.70	37.40	0.08	52.70	35.10	0.08	46.90	32.60	0.08	40.30	29.80	0.08	32.20	26.50	0.09
		62(17)	48.60	41.20	0.08	43.70	38.80	0.09	38.30	36.10	0.09	32.90	32.90	0.13	28.30	28.30	0.25
4221	1050	72(22)	67.70	32.90	0.00	62.50	30.40	0.00	56.50	27.60	0.00	49.70	24.70	0.02	42.30	21.60	0.02
		67(19)	57.10	35.00	0.03	51.70	32.20	0.03	45.60	29.30	0.03	38.80	26.20	0.03	30.30	22.60	0.03
		62(17)	47.40	36.80	0.03	41.90	33.90	0.03	35.70	30.80	0.03	28.90	27.50	0.04	23.80	23.80	0.13
	1400	72(22)	79.00	38.50	0.00	73.10	35.80	0.02	66.20	32.80	0.04	58.30	29.40	0.04	49.30	25.90	0.05
		67(19)	66.90	41.80	0.05	60.70	38.70	0.05	53.50	35.40	0.06	45.50	31.90	0.06	36.30	28.10	0.06
		62(17)	55.70	44.70	0.06	49.40	41.50	0.06	42.60	38.10	0.06	35.40	34.50	0.08	29.90	29.90	0.18
	1750	72(22)	87.40	42.90	0.04	81.00	40.10	0.06	73.60	37.00	0.07	64.90	33.40	0.07	54.80	29.50	0.08
		67(19)	74.30	47.40	0.08	67.60	44.20	0.08	59.70	40.60	0.08	50.60	36.70	0.08	40.90	32.80	0.09
		62(17)	62.20	51.40	0.09	55.30	48.10	0.09	47.90	44.50	0.09	40.70	40.70	0.11	35.20	35.20	0.23
4821	1200	72(22)	72.40	35.20	0.00	67.30	32.70	0.00	61.20	30.00	0.00	54.20	27.00	0.01	46.30	23.70	0.02
		67(19)	61.40	37.70	0.02	55.90	35.00	0.02	49.50	32.00	0.02	42.40	28.80	0.02	34.10	25.20	0.03
		62(17)	51.20	40.00	0.03	45.50	37.00	0.03	39.20	33.90	0.03	32.20	30.50	0.03	26.70	26.70	0.12
	1600	72(22)	83.80	41.00	0.00	78.00	38.40	0.02	71.30	35.40	0.03	63.30	32.10	0.03	54.00	28.50	0.04
		67(19)	71.40	44.90	0.04	65.20	42.00	0.04	58.00	38.70	0.05	49.50	35.00	0.05	40.30	31.20	0.05
		62(17)	59.80	48.50	0.05	53.40	45.30	0.05	46.30	41.90	0.05	39.00	38.30	0.07	33.40	33.40	0.17
	2000	72(22)	92.10	45.50	0.04	86.00	42.90	0.05	78.70	39.80	0.05	70.10	36.40	0.06	60.00	32.50	0.06
		67(19)	78.70	50.90	0.07	72.10	47.80	0.07	64.30	44.40	0.07	55.10	40.40	0.07	44.90	36.30	0.07
		62(17)	66.30	55.90	0.07	59.60	52.60	0.07	52.10	48.90	0.08	44.90	44.90	0.11	39.20	39.20	0.22
6024	1600	72(22)	93.60	45.40	0.00	86.30	41.90	0.00	77.90	38.00	0.00	68.30	33.80	0.01	58.00	29.60	0.02
		67(19)	78.90	48.10	0.02	71.20	44.20	0.02	62.70	40.10	0.02	53.20	35.70	0.03	41.70	30.80	0.03
		62(17)	65.40	50.40	0.03	57.70	46.30	0.03	49.20	42.00	0.03	39.60	37.40	0.04	32.50	32.50	0.12
	2000	72(22)	106.40	51.70	0.00	98.20	47.90	0.00	88.80	43.70	0.02	78.00	39.10	0.03	65.80	34.10	0.03
		67(19)	89.90	55.50	0.04	81.30	51.30	0.04	71.50	46.70	0.04	60.60	41.80	0.04	48.30	36.60	0.04
		62(17)	74.70	58.90	0.04	65.90	54.40	0.04	56.60	49.70	0.05	46.50	44.80	0.06	38.90	38.90	0.16
	2400	72(22)	116.60	57.00	0.00	107.90	53.00	0.03	97.70	48.50	0.04	85.90	43.60	0.05	72.30	38.20	0.05
		67(19)	98.90	61.90	0.06	89.60	57.50	0.06	78.90	52.50	0.06	66.60	47.20	0.06	53.70	41.80	0.06
		62(17)	82.30	66.40	0.06	72.90	61.70	0.06	62.70	56.70	0.07	52.60	51.60	0.08	44.70	44.70	0.19

See NOTES previous page.

**PERFORMANCE DATA (cont.)**

**COIL STATIC PRESSURE DROP (in. w.c.) PURON® AND R-22 REFRIGERANTS**

UNIT SIZE	Standard CFM																		
	400	500	600	700	800	900	1000	1100	1200	1300	1400	1500	1600	1700	1800	1900	2000	2100	2200
2417	Dry																		
	0.048	0.068	0.090	0.112	0.140	0.170	0.203												
3017	Wet																		
	0.064	0.091	0.122	0.150	0.188	0.224	0.263												
3117	Dry																		
	0.042	0.060	0.080	0.102	0.128	0.157	0.188	0.222	0.259										
3617	Wet																		
	0.055	0.076	0.104	0.127	0.158	0.190	0.225	0.266	0.309										
4221	Dry																		
	0.031	0.046	0.063	0.083	0.105	0.130	0.156	0.193	0.230										
4321	Wet																		
	0.039	0.056	0.075	0.097	0.121	0.149	0.179	0.212	0.249										
4821	Dry																		
	0.043	0.061	0.082	0.103	0.128	0.157	0.189	0.221	0.259	0.299	0.341								
6024	Wet																		
	0.056	0.079	0.107	0.133	0.166	0.200	0.236	0.276	0.315	0.361	0.413								
6124	Dry																		
	0.030	0.041	0.054	0.066	0.082	0.099	0.118	0.137	0.158	0.180	0.205	0.231	0.259						
6124	Wet																		
	0.043	0.059	0.078	0.101	0.126	0.153	0.181	0.207	0.234	0.260	0.288	0.319	0.354						
6124	Dry																		
			0.040	0.052	0.066	0.081	0.098	0.117	0.137	0.156	0.183	0.205	0.233						
6124	Wet																		
			0.049	0.062	0.079	0.096	0.114	0.138	0.162	0.189	0.216	0.239	0.27						
6124	Dry																		
			0.047	0.060	0.075	0.092	0.110	0.130	0.152	0.176	0.204	0.230	0.256	0.284	0.318				
6124	Wet																		
			0.053	0.067	0.085	0.104	0.125	0.147	0.172	0.200	0.228	0.259	0.292	0.327	0.365				
6124	Dry																		
					0.062	0.073	0.084	0.097	0.111	0.126	0.138	0.154	0.172	0.190	0.210	0.228	0.251	0.273	0.293
6124	Wet																		
					0.082	0.096	0.112	0.129	0.145	0.163	0.171	0.191	0.212	0.235	0.258	0.283	0.310	0.336	0.366
6124	Dry																		
											0.196	0.216	0.238	0.259	0.286	0.312	0.336	0.363	0.390
6124	Wet																		
											0.208	0.233	0.259	0.281	0.307	0.339	0.368	0.400	0.431

**CNPHIP / CNRHP**

